

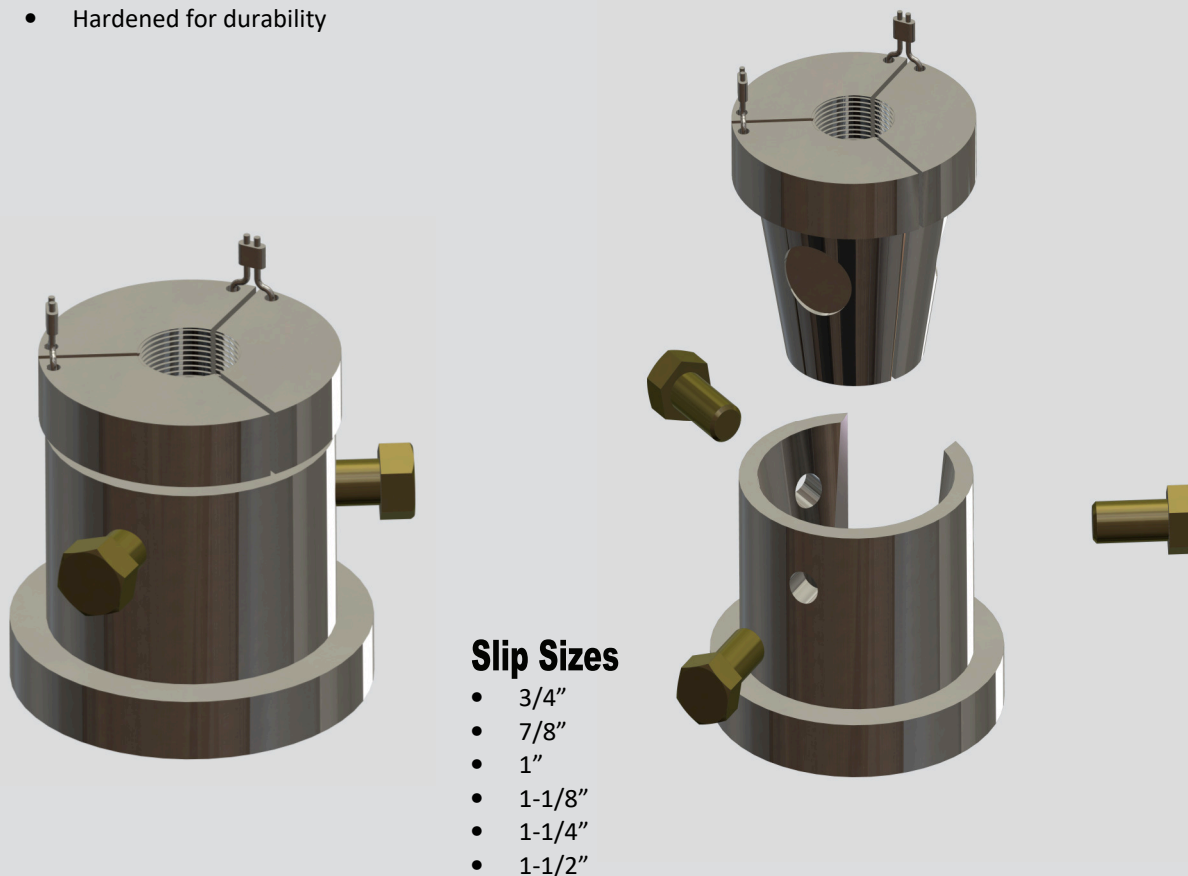
# Open Face Rod Pulling Tool



The Open Face Rod Pulling Tool is designed for easy installation and effective retrieval of conventional, continuous, and polish rods. The simple design is made to eliminate wrenching on high well heads and under heavy equipment. Simply slide the tool over the broken rods and pick out the slips necessary for retrieval. After slips are inserted, tighten the three (3) set bolts and the rods will be clamped off, you are now able to pull up to 60,000lbs\*. This tool is designed to pull heavy by gripping in with one way teeth, the harder you pull the more the teeth dig in. If anything jumps, slips, lets go, it will all be safely contained within the tool itself and the pipe elevators.

## Features:

- No wrenching
- Quick installation, only requires a 3/4" wrench
- Lightweight
- Manageable without a lifting device
- Designed to fit 5 different rod sizes
- Fast and easy to remove and clean
- Prevents rods from slipping
- Hardened for durability



## Slip Sizes

- 3/4"
- 7/8"
- 1"
- 1-1/8"
- 1-1/4"
- 1-1/2"

\*Load rating may be reduced by operating conditions, regulatory requirements, and/or the use of auxiliary equipment that has a lower load rating.

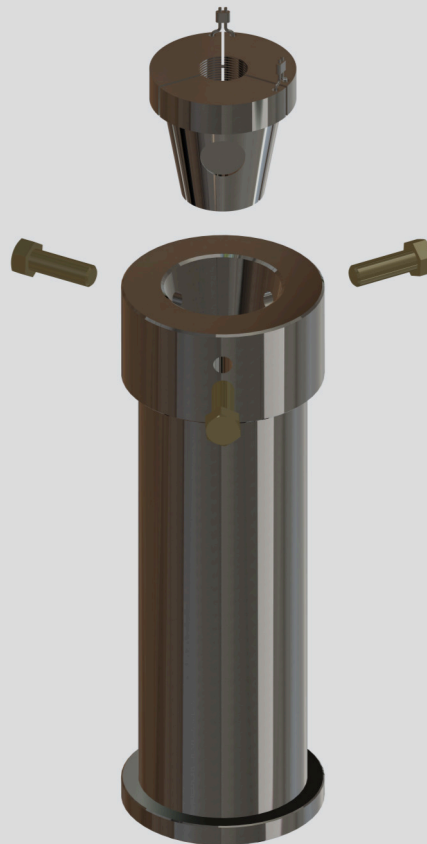
# Elevator Rod Pulling Tool



The Elevator Rod Pulling Tool is designed for easy installation and effective retrieval of conventional, continuous, and polish rods. The simple design is made to eliminate wrenching on high well heads and under heavy equipment. Simply slide the tool over the broken rod while it rests in the tubing elevator and insert the properly sized slips necessary for retrieval. After slips are inserted, tighten the three (3) set bolts and the rods will be clamped off, you are now able to pull up to 60,000lbs\*. This tool is designed to pull heavy by gripping in with one way teeth, the harder you pull the more the teeth dig in. If anything jumps, slips, lets go, it will all be safely contained within the tool itself and the pipe elevators.

## Features:

- No wrenching
- Quick installation, only requires a 3/4" wrench
- Lightweight
- Manageable without a lifting device
- Designed to fit 5 different rod sizes
- Fast and easy to remove and clean
- Prevents rods from slipping
- Hardened for durability



## Slip Sizes

- 3/4"
- 7/8"
- 1"
- 1-1/8"
- 1-1/4"

\*Load rating may be reduced by operating conditions, regulatory requirements, and/or the use of auxiliary equipment that has a lower load rating.