

Heavy Wall Casing Collar



CASING COLLAR

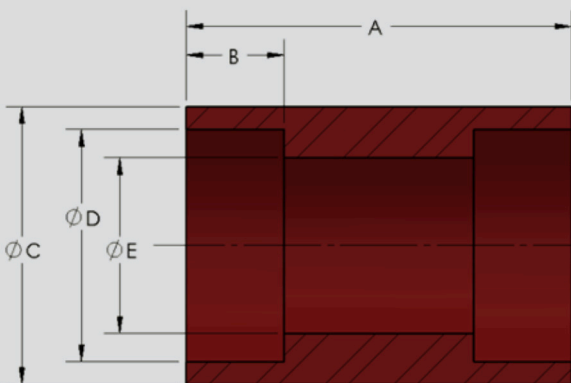
Heavy wall casing collars are a simple solution to standardize wellhead height

Upon completion of a drilling rig, the production casing can be left cut off at various heights. Our casing collar allows completions to have all the same wellhead tree heights all the same. This makes the well site appearance attractive and makes it easier for the service companies to rig in and out. This heavy wall casing collar can be manufactured to match the casing weight so that there are no lips for tubing collars, packing tools, abandonment tools, etc. to catch or hang up.

Features:

- Comes stamped with traceability and heat numbers
- Heavy wall construction eliminates welds cracking from casing movement
- Can be built to customer material specification other than ANSI 1026
- Can be ordered for a slip-on weld or threaded
- ID can be matched to casing weight to eliminate tools from hanging up
- Comes painted with high temperature paint
- Other sizes available upon request

SIZE*	GRADE	COLLAR ID (IN)	OVERALL LENGTH (IN)	STD CASING WT. (LBS/FT)	SOW ID (IN)	COLLAR OD (IN)
4-1/2"	ANSI 1026	3.920	9.500	13.5	4.600	6.000
	ALLOY 4130					
7"	ANSI 1026	6.550	11.800	20	7.100	8.500
	ALLOY 4130					
7"	ANSI 1026	6.366	11.500	23	7.118	8.460
	ALLOY 4130					
8-5/8"	ANSI 1026	8.570	12.000	32	8.900	10.500
	ALLOY 4130					

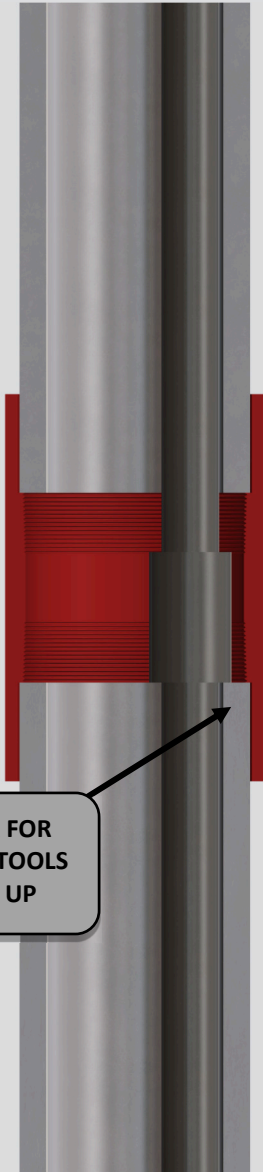


Size	A	B	C	D	E
4-1/2"	6.25	1.00	5.60	4.60	3.92
7" -20 ppf	11.80	3.00	8.50	7.10	6.55
7" -23 ppf	11.50	3.00	8.46	7.12	6.36
8-5/8"	9.00	3.45	10.42	8.80	8.49

Heavy Wall Casing Collar

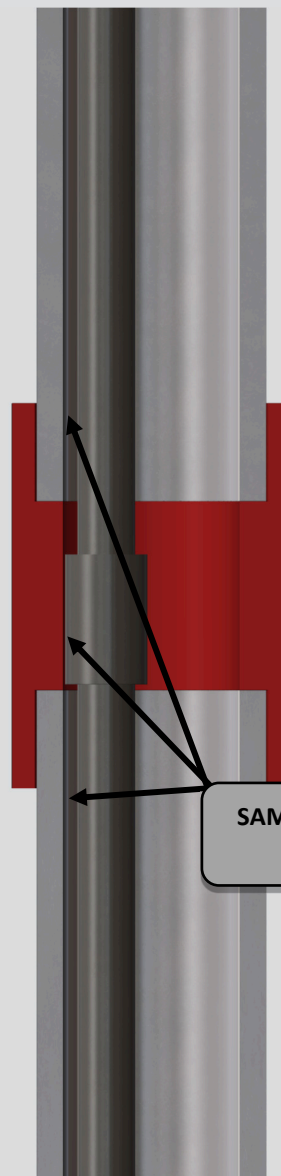


STANDARD API COLLAR



SHOULDER FOR
TUBING OR TOOLS
TO HANG UP

API HEAVY WALL COLLAR



SAME ID ELIMINATES
SHOULDER

CASING COLLAR